

FOOD SLICERS

Semi-automatic slicers - model S712

Semi-automatic food slicer S712pF (S712pFT with teflon – coated blade for slicing cheese) is a precise machine which allow slicing food into slices of different thickness. Allows to work in two modes: semi-automatic and manual. In semi-automatic mode allows to adjust the speed and length (pitch) of shift the feeding table.

Slicer meets the CE standards for safety and hygiene.



DESCRIPTION

Model Range

S712

SPECIFICATIONS

Finish

Elements of the slicer in contact with food made from stainless steel

Knife material

Stainless, chromium steel

Diameter of knife

300mm

Knife sharpener

Profesional, integral with the machine

Slice thickness

0 – 28mm

Product sliced

Cold cuts, cheese, meat, bread

Product limitations

Products which should not be sliced:

- ⊙ frozen food
- ⊙ products with bones
- ⊙ non food products

Performance

2300 slices per hour

Recommendation

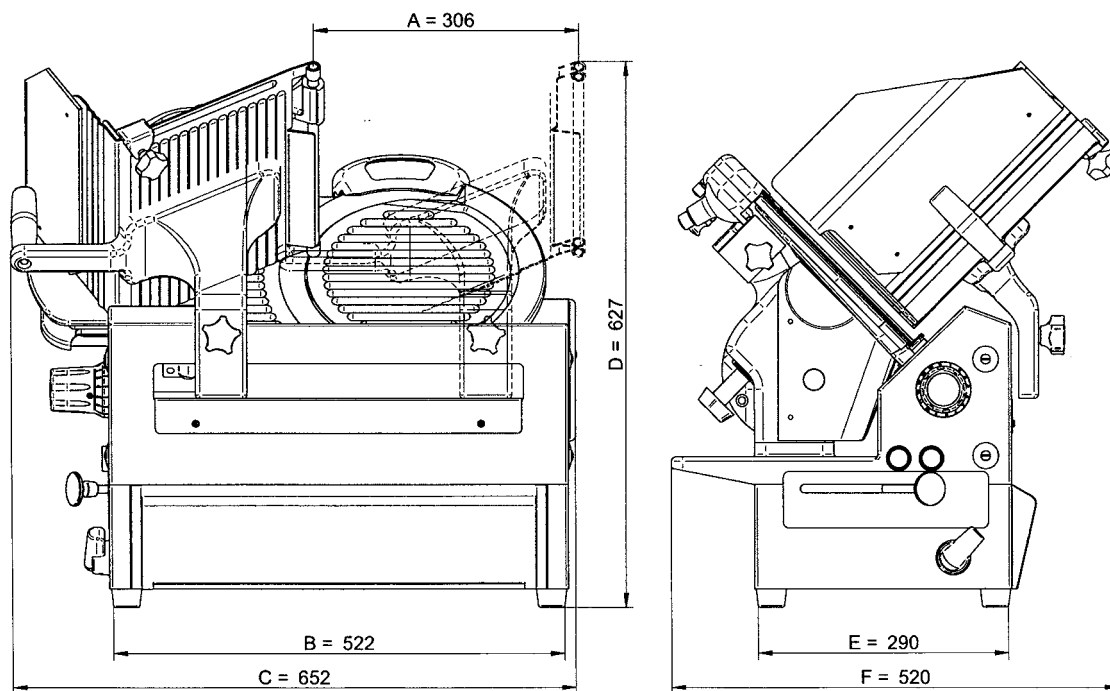
It is recommended to cut the cheese into slices cooled to the temperature 7 - 10 °C. The machine elements in contact with food should be washed every day, dry after washing. It is forbidden to wash all machine with water stream. Every day lubricate with machine oil (do not use cooking oil). In order to avoid premature rub the sharpener, only the clean knife should be sharpen (without the remnants of cut product).

Approvals

Machine corresponds to the requirements of the following reference documents:

- ▶ Machinery Directive 2006/42/WE and norms harmonized:
 - ⊙ EN 60204-1:2006+A1:2009 (Electric safety)
 - ⊙ EN 953:1997+A1:2009 (Covers of moving parts)
 - ⊙ EN 1974:1998+A1:2009 (Slicers - health and safety requirements)

DIMENSION CHART



DIMENSIONS

Slicers: S712pF, S712pFT			
A	306mm	D	627mm
B	522mm	E	290mm
C	652mm	F	520mm

TECHNICAL DATA (specification)

Slicers: S712pF, S712pFT	
Overall dimensions	687 x 520 x 627(H)mm
Foot print	520 x 290mm
Slice thickness	0 - 28mm (liquid regulation)
Max. cutting size	230mm (length), height depends on the length, max. 190mm
Diameter of knife	300mm
Sound level	≤ 54dB
Electrical	230V 50Hz 1 phase
Power	250W (knife drive), 180W (table drive)
Weight (net)	50kG
Options	
Electrical 115V 60Hz 1 phase	
Comments	
S712pFT slicer is intended primarily for slicing cheese, different from the S712pF slicer the fact that the knife, knife cover and resistance plate are teflon coated and there was reinforced the drive with powerful engine.	

SHIPPING SPECIFICATIONS

Box Dimensions				
Slicers	Lenght	Width	Height	Gross Weight
S712pF	650mm	550mm	760mm	75kG
S712pFT	650mm	550mm	760mm	75kG